

Products for high vacuum systems

# INDUSTRIAL CENTRAL VACUUM CLEANING



# LAJAC

[lajac.com](http://lajac.com)



## SPECIALIST IN MODERN PROCESS VENTILATION

Lajac stores, sells and distributes products and system solutions for industrial dust handling, material transport, point extraction and central vacuuming. Our ambition is to work closely with our customers and to be easily accessible for consultation, order or other communication.

We have a large and well stocked warehouse, which means fast and secure deliveries. We also have broad knowledge and long experience of technical issues, including dimensioning and consultation within filter and fan solutions.



## OWN PRODUCTION AND ESTABLISHMENT IN EUROPE

Lajac has since its inception continuously manufactured technologies and products that clean industrial air, while building high levels of expertise. In connection with Lajac's internationalization, we are committed to developing our brand through proprietary innovative products under the concept "Made in Sweden". The production consists of filters and suction units for industrial central vacuum extractions.

### Use of high vacuum system

By catching dust/smoke as close to the source as possible, not as much airflow as conventional exhaust systems is required. This means that less heat is lost and that the air balance in the room is not significantly affected.

### Common uses for high vacuum systems

- Floor cleaning
- Cleaning on and around workbenches
- Extraction from welding guns
- Hand-held grinding and pouring machines
- Extraction from production machines



**NS/NS-XL**

Suction unit with direct start



NS is a small vacuum cleaner that is suitable for all outdoor needs, from temporary usage to a fixed installation as a central vacuum cleaner.

- Airflow: <math><340\text{m}^3/\text{h}</math>
- Max. Pressure: 30kPa

Area of use

- Vacuum cleaner
- Welding guns/hand tools

**FD/FD-F**

Suction unit with frequency converter



CE is a stationary unit for high vacuum, that consists of a complete compressed air cleaned cartridge filter, dust container, side channel blower and an electrical control cabinet.

- Airflow: <math><1140\text{m}^3/\text{h}</math>
- Max. Pressure: 30kPa

Area of use

- Industrial vacuum cleaner
- Welding guns/hand tools
- Abrasive dust from building/industrial environment

**OM/OM-F**

Suction unit with direct start



Central vacuum cleaner Optimum is a mid-range machine with large capacity. This model is available with 3 or 4 kW vacuum pump.

- Airflow: <math><650\text{m}^3/\text{h}</math>
- Max. Pressure: 30kPa

Area of use

- Industrial vacuum cleaner
- Welding guns/hand tools
- Abrasive dust from building/industrial environment

**OM-MOB**

Suction unit with direct start

Optimum is a mobile central vacuum cleaner with high capacity. Available with 3 or 4 kW vacuum pump.

The central vacuum cleaner FD/ FD-F consists of a vacuum pump, an electrical control cabinet, a cyclone separator with filter and a steel frame.

- Airflow: <math><1690\text{m}^3/\text{h}</math>
- Max. Pressure: 30kPa

Area of use

- Industrial vacuum cleaner
- Welding guns/hand tools
- Abrasive dust from building/industrial environment

**CE/CE-F**

Stationary high vacuum unit



**BBM/BBS**

Big Bag stand



BBM



BBS

Big Bag stand for model PS that is usually used for pre-/coarse separator before dust separator at large amounts of material.

Designed for negative pressure max -30kPa. Volume 225 liter.

Area of use

- For handling of Big Bag

**PS-200**

Preseparator

PS-200 is a preseparator, suitable for both wet and dry waste. Used in combination with vacuum tight container.

Inlet/outlet  $\varnothing = 51\text{ mm}/51\text{ mm}$ .

- Max. Pressure: 30kPa

Area of use

- Preseparator in most types of dust extraction

**PS-370**

Preseparator

PS-370 is a preseparator, suitable for both wet and dry waste.

Inlet/outlet  $\varnothing = 63\text{ mm}/63\text{ mm}$ .

- Max. Pressure: 30kPa

Area of use

- Preseparator in most types of dust extraction

**PS-370M** is a mobile preseparator suitable for dry and wet waste. Equipped with washable polyester filter and 4 castor wheels.

**PS-300**

Preseparator

PS-300 is a preseparator, suitable for both wet and dry waste.

Inlet/outlet  $\varnothing = 51\text{ mm}/51\text{ mm}$ .

- Max. Pressure: 30kPa

Area of use

- Preseparator in most types of dust extraction

**PS-480**

Preseparator

PS-480 is a preseparator, suitable for both wet and dry waste.

Inlet/outlet  $\varnothing = 76\text{ mm}/76\text{ mm}$ .

- Max. Pressure: 30kPa

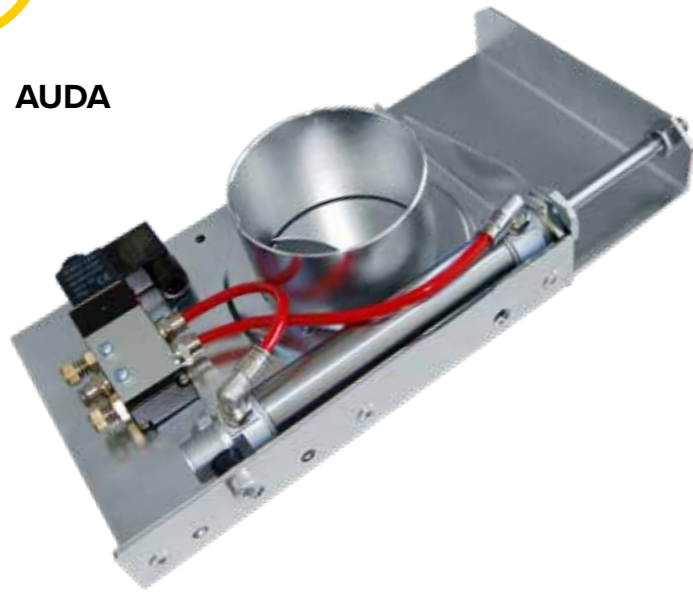
Area of use

- Preseparator in most types of dust extraction



Picture: PS-200

AUDA

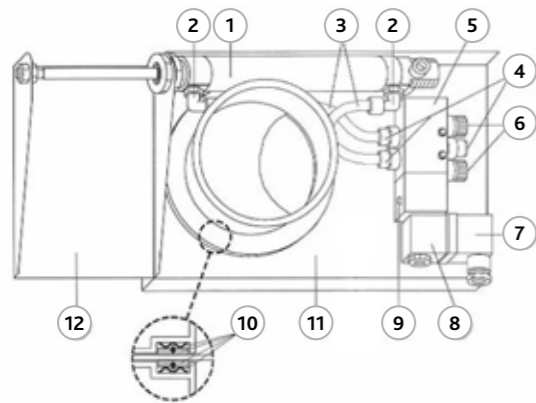


MADA



The automatic sliding damper **AUDA** is a compressed air damper for tight and quick shutdown. The exhaust is always focused at the connections, the exhaust points or on the machines currently in use. This maximizes the exhaust pressure, reduces energy consumption and creates a healthier work environment with cleaner end products, machines and industrial air.

**MADA** is a manual tight sliding damper with straight edges.

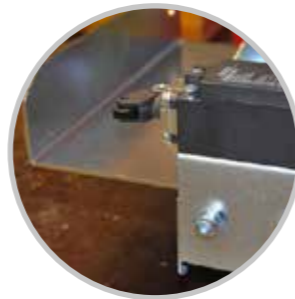


- 1 Pneumatic cylinder
- 2 Connection 1/8" - 6 mm hose
- 3 Hose 6 mm
- 4 Connection 1/8" - 6 mm hose
- 5 Solenoid valve
- 6 Silencer/adjustment
- 7 Cable terminal
- 8 Coile 230V AC or 24V AC/DC
- 9 Screw for manuel operation solenoid valve
- 10 Sealings
- 11 Damper housing
- 12 Damper blade

Micro switch SPDA-06 (closed)



Micro switch SPDA-06 (open)



Cylinder sensor SPDA-08



HOSR

Hose reel



HOSR – This hose reel is a user-friendly and ergonomic product that provides a more efficient cleaning time, as it is always close to hand and fast-started.

The antistatic hose has a value of  $10^4 \Omega/m$  and can be used in ATEX zones 21 and 22. Ceiling mounting available. The mounting option must be specified when ordering, since a hose reel that is prepared for another mounting can not be modified.

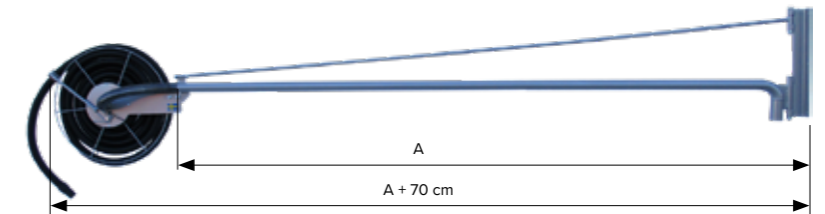
Stocked in Ø38 och Ø50 mm

Article	Mount	Measurement (LxBxH) mm	Ø Hose mm	Hose length m	Weight kg
HOSR-32	Wall	800x240x650	32	10	12
HOSR-38	Wall	800x240x650	38	8,5	12
HOSR-50	Wall	800x240x650	50	7,3	14

HOSA

Extension arm

Pivot extension arm for HOSR.



Adjustable hose stopper

Easy to adjust the length of the hose.

Micro switch

Pulling the hose is all that is needed to activate the vacuum cleaner.

**Antistatic hose**  
Prevents electrical charge ( $10^4 \Omega/m$ ).

**Rotating bracket**  
Gives the hose reel greater scope and higher flexibility.

**Retractable antistatic hose**  
Returns automatically to its initial position when the hose is released, which reduces and streamlines the cleaning process.

**Arm**  
The connection between the hose and the shutter valve.

**Shutter valve**  
Connected to the arm and controls the exhaust start and stop.

**Hinge and locking pin**  
For easy installation of hose reel.

FLOOR CLEANING PRODUCTS FOR HOSE REEL

Cleaning system

Hose reel **HOSR** is also available in ATEX approved performance. As a smooth and easy-to-use cleaning kit, the two-piece cleaning pipe **CLPI**, cleaning bow **CLBE** and **FLNO** floor nozzle, is recommended.



LAJAC PROVIDES CLEANING SYSTEMS IN Ø32 - 100 MM



Why should you use a high vacuum system?

Lajac's high-vacuum program includes products designed for high under pressure/industrial vacuuming with small amount of air and transport of heavy and abrasive material. The system is well adapted for the separation and recovery of steel and fine dust, smoke and particals as well as general cleaning. The products have a straight connection and are fitted with a jet coupling.



PIPE SYSTEM HEAVY-DUTY

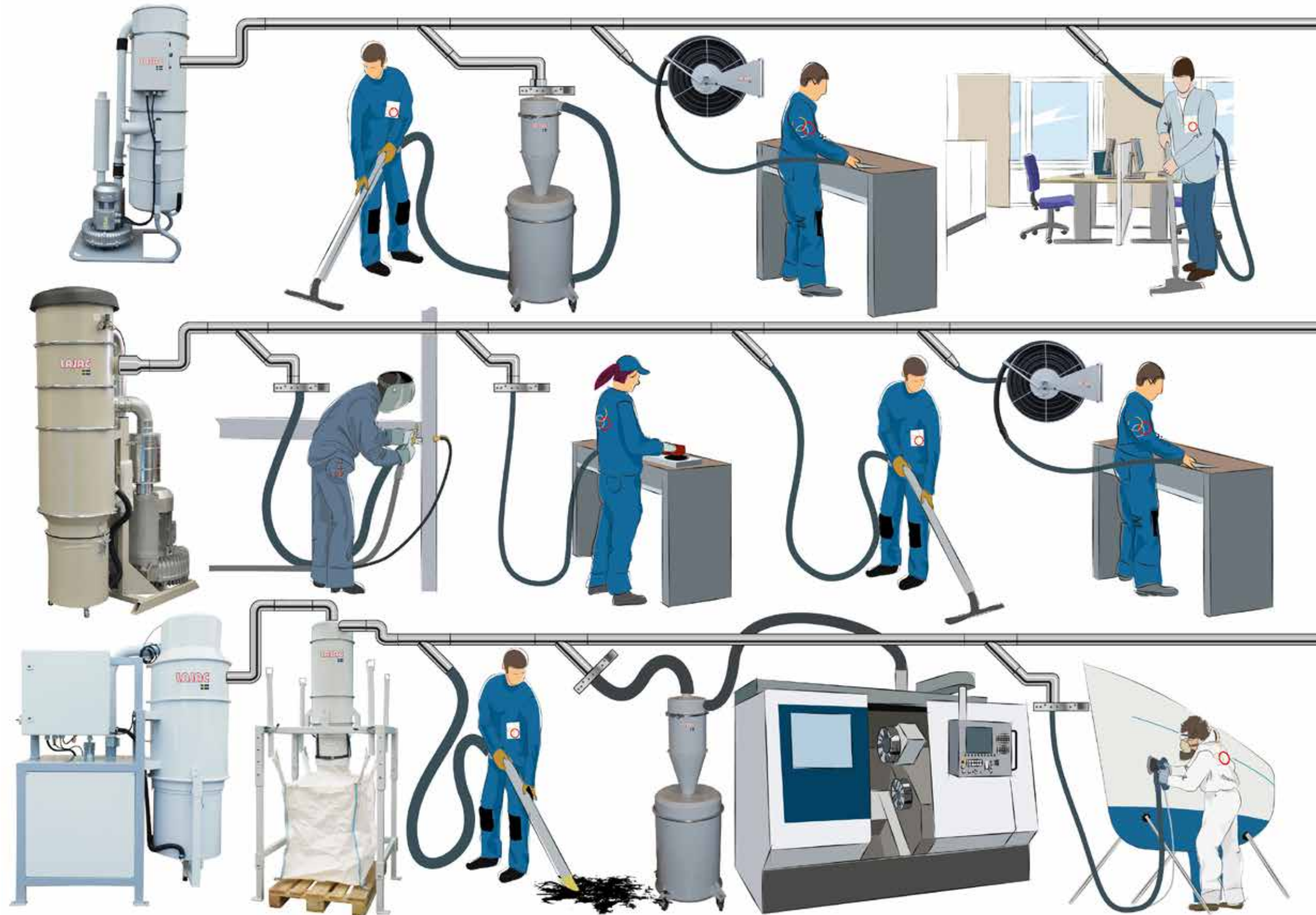


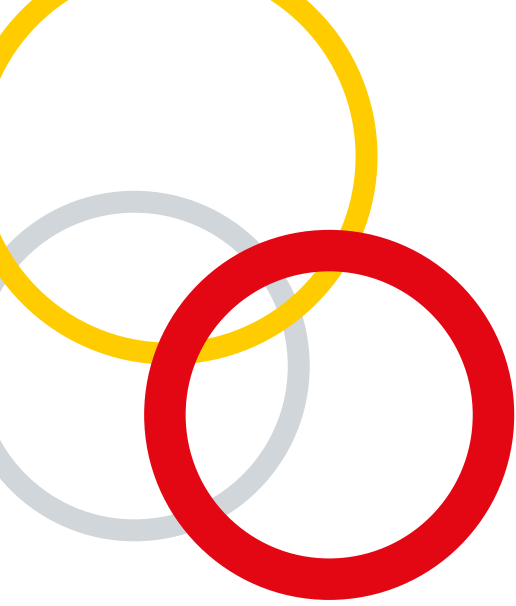
PIPE SYSTEM STAINLESS STEEL



APPLICATION OF HIGH VACUUM SYSTEMS

Below you see some examples of how high vacuum systems can be used to create a clean working environment and an efficient production. By catching dust/smoke as close to the source as possible, not as much airflow as in conventional exhaust systems is required. This means that less heat is lost and that the air balance in the room is not significantly affected.





Products and systems are found in environments where efficient production, high product quality and clean and safe working environment are high priority.

**LAJAC**

**[lajac.com](http://lajac.com)**